

DBB 16/250

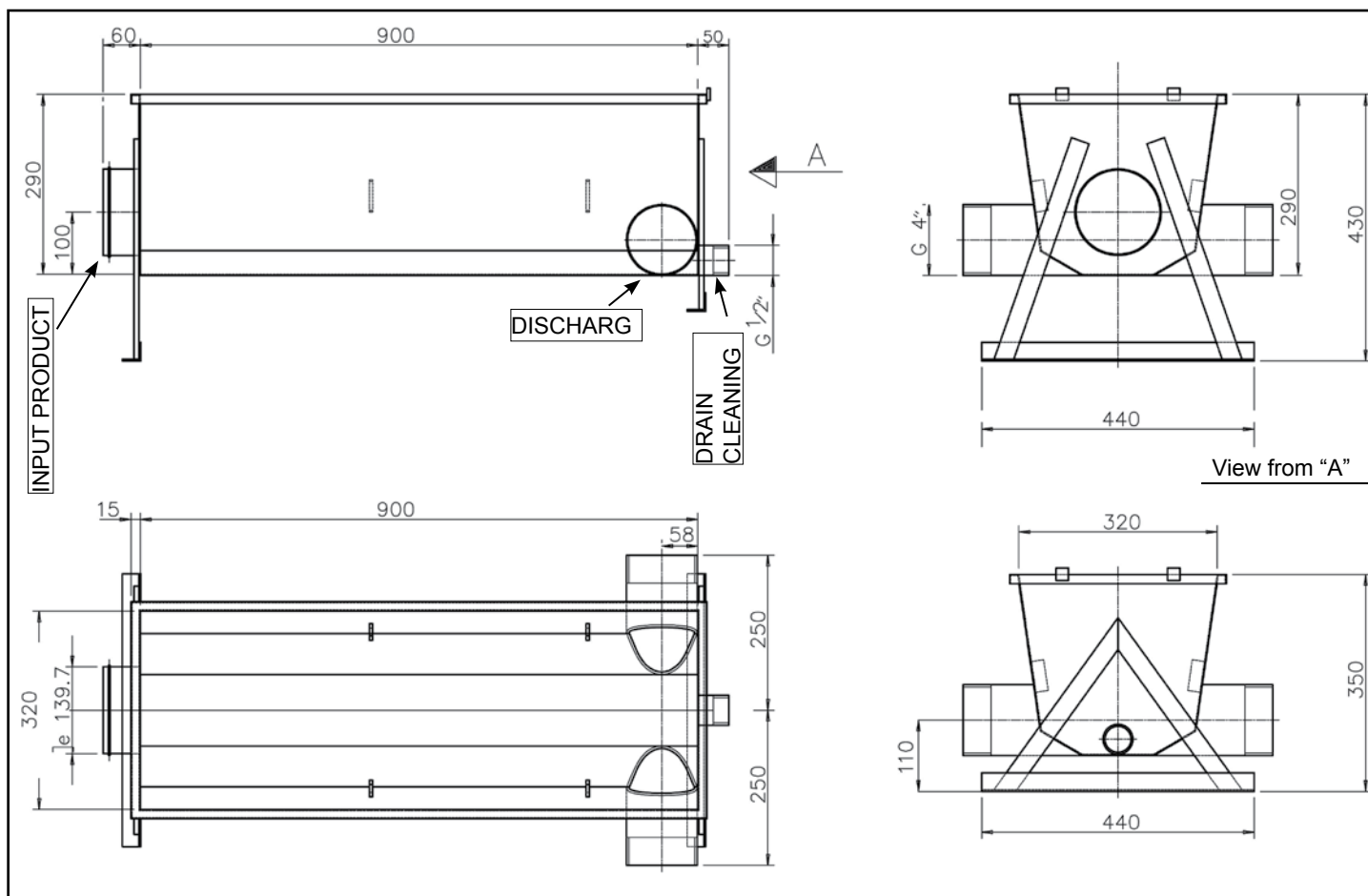
IRON REMOVER MAGNETIC BARS



TECHNICAL FEATURES	
Magnetic bars	nr. 2 groups of 8 bars each
Diameter magnetic bars	Ø 25
Magnetic power (Gauss)	6000
Weight (kg)	46

CONSTRUCTION FEATURES

- INOX AISI 304 stainless steel tank with cover
- Permanent bar magnets neodymium
- Manual Cleaning



APPLICATIONS

- Iron removal of ceramic slip to be installed after the sieves

ADVANTAGES

- Good efficiency iron removing performances
- Easy to install on glaze transfer lines
- Absence of manutenzione

The data here indicated are purely indicative and can be modified by IN.TE.SA s.p.a. without any notice. Precise values are communicated upon request. Any unauthorized copy of this document will be legally pursued.



IN.TE.SA. s.p.a. - Sede legale: Via Selice Provinciale 17/A – 40026 Imola (BO) – Italy
 Sede operativa/amministrativa: Via Vittime 11 Settembre 2001, 25/P – 41049 Sassuolo (MO) – Italy
 Tel. +39 0536.1814052 - Fax +39 0536.1810269 - www.intesa.sacmi.it - info.intesa@intesa.sacmi.it