

# DLG 120-142-205-245-300-350-400

## GRAVITY ELECTROMAGNETIC IRON REMOVERS FOR FLUIDS



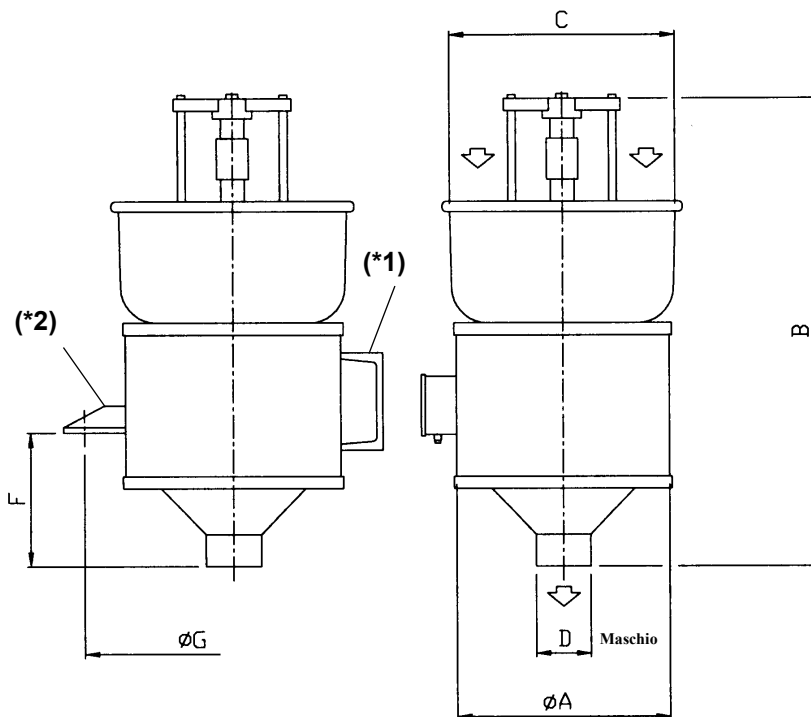
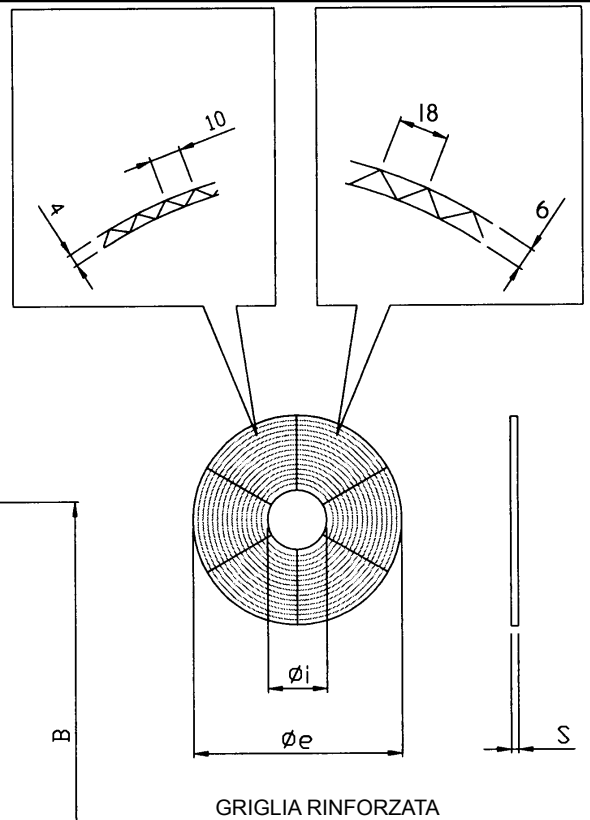
TECHNICAL FEATURES	120	142	205	245	300	350	400
Electrical power (W)	130	220	300	400	600	800	1000
Max capacity (dm <sup>3</sup> /h)	1200	2500	6000	12000	16000	24000	34000
Weight (kg)	50	70	95	165	290	440	620

### CONSTRUCTION FEATURES

- Supply tank with float
- Electrocoil at direct current
- Reinforced grids in MAGNETIC STAINLESS STEEL
- Electrical control panel in IP54.

Mod.	A	B	C	D	F	G	i	e	S	n°
120	250	640	320	1"1/4	/	/	44	118	6	23
142	330	675	380	1"1/2	/	/	46	142	6	23
205	375	825	450	2"1/2	225	465	85	203	6	25
245	460	940	575	4"	245	610	95	242	6	28
300	520	1000	575	5"	260	650	138	300	6	28
350	565	1100	610	6"	300	670	138	345	10	28
400	640	1500	730	6"	380	755	140	400	10	27

Dimensions in mm.



- \*1) Grip handle only for mod. DLG 120-142.
- \*2) Support shelves only for mod. DLG 205-245-300-350-400.

### APPLICATIONS

- Iron removing for water, slip and glaze lines in ceramic industry

### ADVANTAGES

- Good ferromagnetic screening performances.
- Easy to clean by disconnecting the magnetic field.

The data here indicated are purely indicative and can be modified by IN.TE.SA. without any notice. Precise values are communicated upon request. Any unauthorized copy of this document will be legally pursued.

