

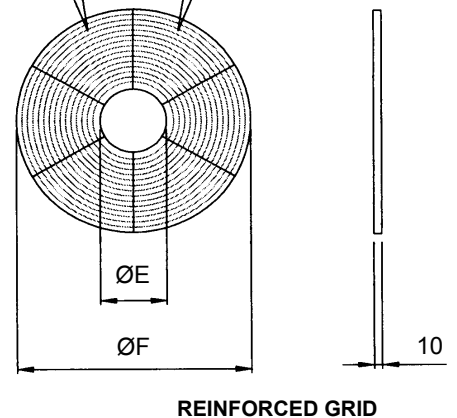
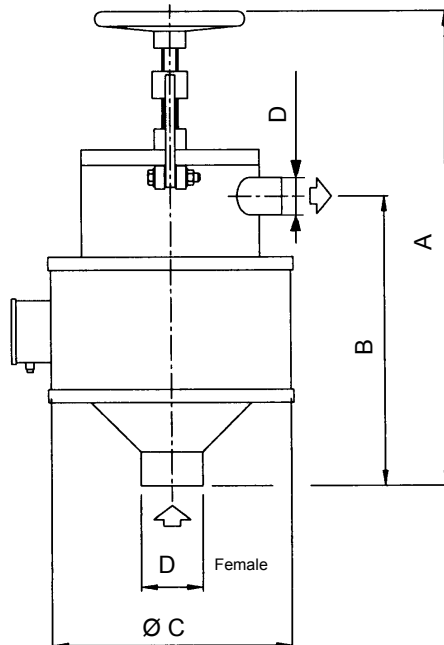
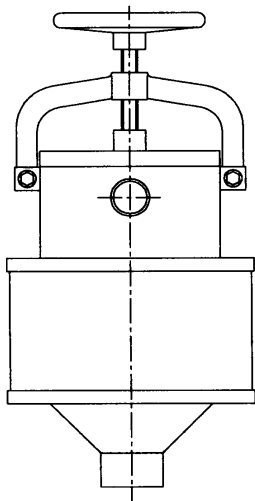
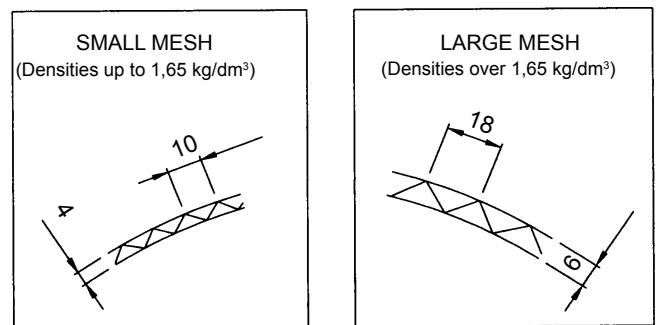
**DLP 205-245 PLUS****PRESSURE ELECTROMAGNETIC IRON  
REMOVERS FOR FLUIDS**

TECHNICAL FEATURES	DLP 205 PLUS	DLP 245 PLUS
Electrical power (W)	650	1000
Max. Capacity (dm <sup>3</sup> /h)	9000	12000
Max. Capacity (bar)	8	8
Weight (kg)	180	240

**CONSTRUCTION FEATURES**

- Female threaded coupling for pressure supply.
- Improved electrocoil at direct current.
- Reinforced grids in MAGNETIC STAINLESS STEEL.
- Electrical control panel in IP54.
- Corrosionproof zinc-plated structure.

MOD. mm	DLP 205	DLP 245
A	845	965
B	515	595
Ø C	375	460
D	3"	4"
Ø E	85	85
Ø F	203	242

**Dimensions in mm.****APPLICATIONS**

- Body slip and glaze lines in ceramic industry.

**ADVANTAGES**

- Improved ferromagnetic screening performances in case of medium-sized impurities.
- Easy to clean by disconnecting the magnetic field.
- Thicker grids.
- Longer filter area.

The data here indicated are purely indicative and can be modified by IN.TE.SA. without any notice.  
Precise values are communicated upon request. Any unauthorized copy of this document will be legally pursued.