

FPT 1-2 /140

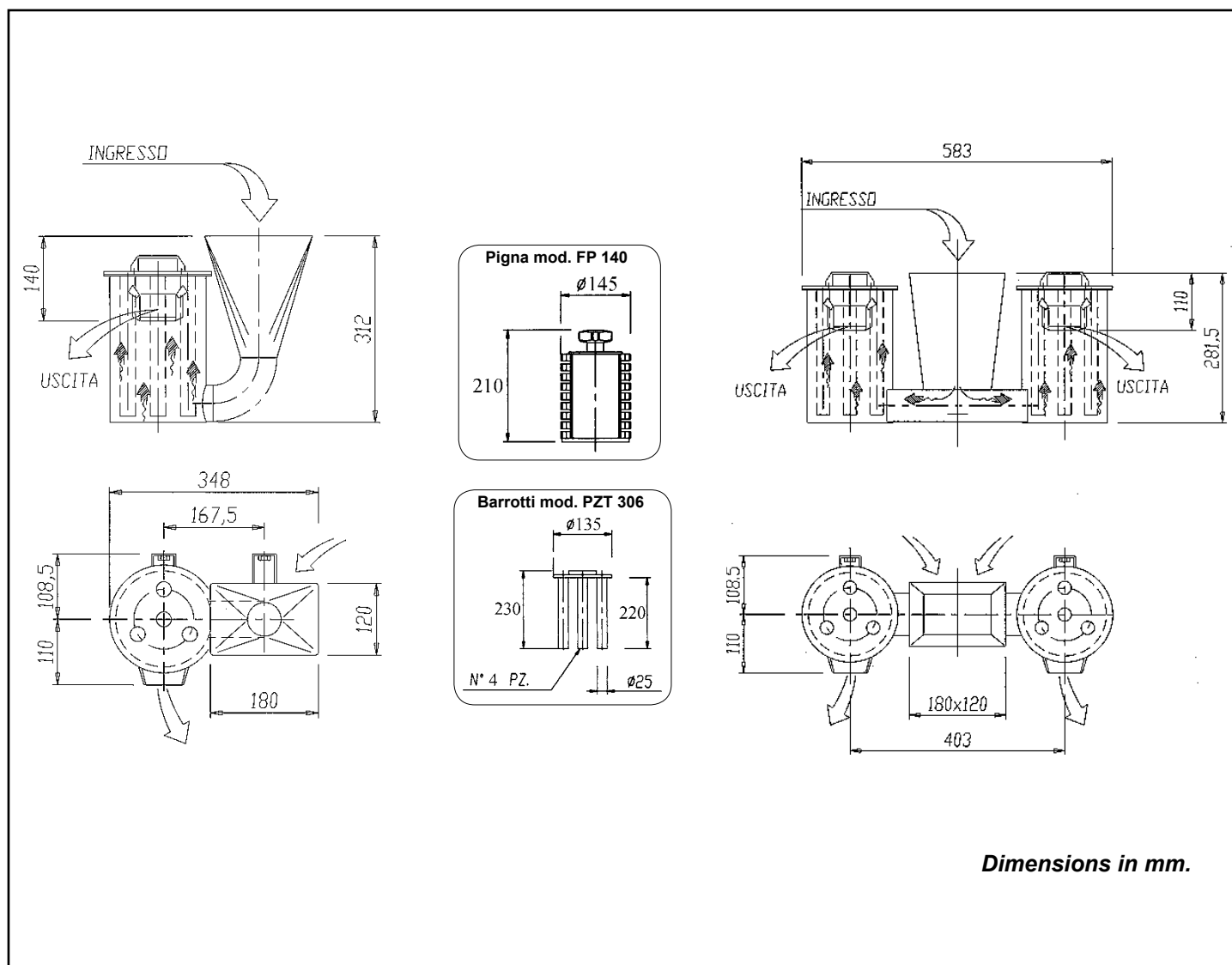
SPRING IRON REMOVER WITH PERMANENT MAGNETS



TECHNICAL FEATURES	FPT 1/140	FPT 2/140
Semi-automatic cleaning pine - Magnetic power in close field 6 000 Gauss	1 x \varnothing 140	2 x \varnothing 140
Magnetic bars in Neodimium - Magnetic power in close field 12 000 Gauss	4 x \varnothing 25	8 x \varnothing 25
Weight (kg)	11	20

CONSTRUCTION FEATURES

- AISI 304 stainless steel tank.
- Discharge outlet for quick emptying



Dimensions in mm.

APPLICATIONS

- Body slip and glaze iron removing

ADVANTAGES

- Easy to install on glaze transfer lines
- Excellent iron removing performances
- Easy to clean

The data here indicated are purely indicative and can be modified by IN.TE.SA. without any notice. Precise values are communicated upon request. Any unauthorized copy of this document will be legally pursued.

